

## SCHOTTKY BARRIER DIODE

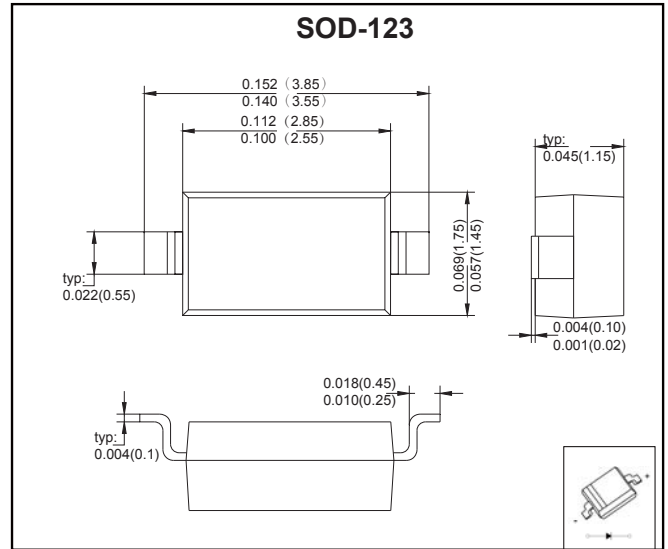
VOLTAGE RANGE: 50V PEAK PULSE POWER:400mW

### FEATURES

- Low Forward Voltage Drop
- Guard Ring Construction for Transient
- Protection Negligible Reverse Recovery Time
- Low Capacitance
- Ultra-small Surface Mount Package

### MECHANICAL DATA

- Case: SOD-123 Small Outline Plastic Package
- Polarity: Color band denotes cathode end
- Mounting Position: Any



## MAXIMUM RATINGS AND CHARACTERISTICS

Ratings at 25 C ambient temperature unless otherwise specified

Symbol	Parameter	Value	Unit
<b>VRRM</b>	Peak Repetitive Reverse Voltage	50	V
<b>VRWM</b>	Working Peak Reverse Voltage		
<b>VR</b>	DC Blocking Voltage		
<b>VR(RMS)</b>	RMS Reverse Voltage	35	V
<b>IFM</b>	Forward Continuous Current	15	mA
<b>IFSM</b>	Non-repetitive Peak Forward Surge Current @t=8.3ms	2	A
<b>PD</b>	Power Dissipation	400	mW
<b>ROJA</b>	Thermal Resistance from Junction to Ambient	250	°C/W
<b>Tj</b>	Junction Temperature	125	°C
<b>Tstg</b>	Storage Temperature	-55~+150	°C

## Electrical Specification (TA=25@25°C unless otherwise specified)

Parameter	Symbol	Test conditions	Min	Typ	Max	Unit
Reverse voltage	V(BR)	IR=10μA	50			V
Reverse current	IR	VR=40V			0.2	μA
Forward voltage	VF	IF=1mA			0.40	V
		IF=15mA			0.95	
Total capacitance	Ctot	VR=0V, f=1MHz			2.1	pF
Reverse recovery time	trr	IF= IR=5mA, Irr=0.1×IR, RL=100Ω			1	ns

MARKING: S2

# RATINGS AND CHARACTERISTIC CURVES

